



MODEL DUCATI HYPERMOTARD 1100

YEAR 2007-->

LINE SPORT

MUFFLER SUONO

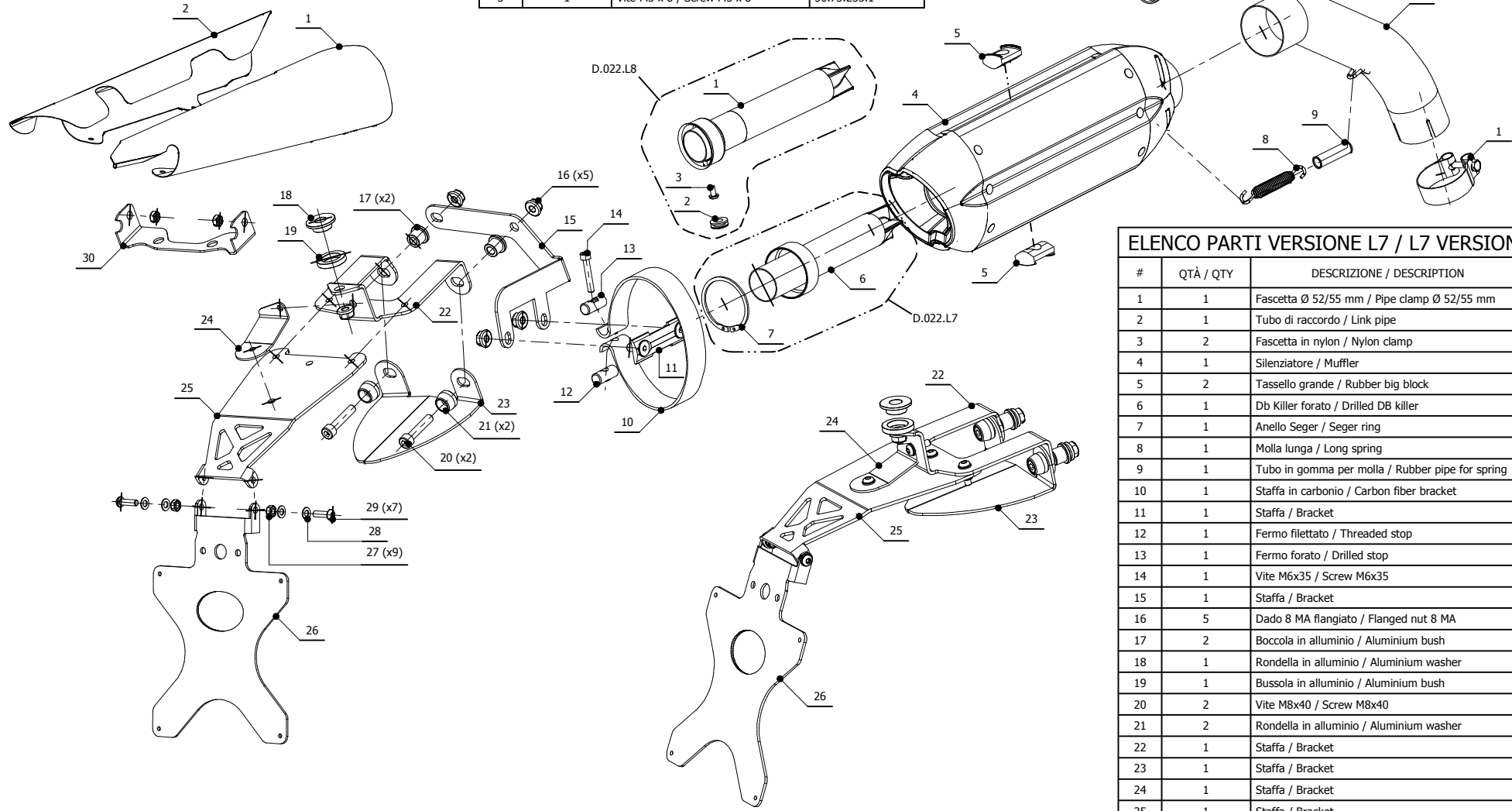
SCHEMATIC

PARTI OPZIONALI / OPTIONAL PARTS

#	QTÀ / QTY	DESCRIZIONE / DESCRIPTION	CODICE / CODE
1	1	Copertura sinistra in carbonio / Left carbon cover	50.CR.009.SX
2	1	Copertura destra in carbonio / Right carbon cover	50.CR.009.DX

DB KILLER VERSIONE L8 / L8 VERSION DB KILL

#	QTÀ / QTY	DESCRIZIONE / DESCRIPTION	CODICE / CODE
1	1	Db Killer forato / Drilled DB killer	50.DK.038.0
2	1	Tappo in gomma / Rubber stopper	50.73.266.1
3	1	Vite M5 x 8 / Screw M5 x 8	50.73.233.1



ELENCO PARTI VERSIONE L7 / L7 VERSION PARTS LIST

#	QTÀ / QTY	DESCRIZIONE / DESCRIPTION	CODICE / CODE
1	1	Fascetta Ø 52/55 mm / Pipe clamp Ø 52/55 mm	50.FA.008.1
2	1	Tubo di raccordo / Link pipe	9773D022S2
3	2	Fascetta in nylon / Nylon clamp	50.73.360.1
4	1	Silenziatore / Muffler	SUONO
5	2	Tassello grande / Rubber big block	50.73.203.1
6	1	Db Killer forato / Drilled DB killer	50.DK.025.0
7	1	Anello Seger / Seger ring	50.73.218.1
8	1	Molla lunga / Long spring	50.71.080.1
9	1	Tubo in gomma per molla / Rubber pipe for spring	50.73.210.1
10	1	Staffa in carbonio / Carbon fiber bracket	50.SS.252.1
11	1	Staffa / Bracket	50.SS.253.0
12	1	Fermo filettato / Threaded stop	50.73.213.1
13	1	Fermo forato / Drilled stop	50.73.214.1
14	1	Vite M6x35 / Screw M6x35	50.73.228.1
15	1	Staffa / Bracket	50.SS.456.1
16	5	Dado 8 MA flangiato / Flanged nut 8 MA	50.73.052.1
17	2	Boccola in alluminio / Aluminium bush	50.73.397.1
18	1	Rondella in alluminio / Aluminium washer	50.73.251.1
19	1	Bussola in alluminio / Aluminium bush	50.73.252.1
20	2	Vite M8x40 / Screw M8x40	50.73.075.1
21	2	Rondella in alluminio / Aluminium washer	50.73.248.1
22	1	Staffa / Bracket	50.SS.457.A
23	1	Staffa / Bracket	50.SS.457.E
24	1	Staffa / Bracket	50.SS.457.C
25	1	Staffa / Bracket	50.SS.457.B
26	1	Staffa / Bracket	50.SS.457.D
27	9	Dado M6 autobloccante / M6 locknut	50.73.112.1
28	14	Rondella M6 / Washer M6	50.72.027.1
29	7	Vite M6 x 20 / Screw M6 x 20	50.73.422.1
30	1	Staffa porta frecce / Direction indicators bracket	50.SS.270.1

APPLICAZIONI / APPLICATIONS

CODICE / CODE	TUBO / PIPE	SILENZIATORE / MUFFLER	FASCETTA / CLAMP	CODICE OMOL. / HOMOL. CODE
D.022.L7	INOX / ST. STEEL	INOX (COPPE CARBONIO) / ST. STEEL (CARBON CAPS)	CARBONIO / CARBON FIBER	ME038 E9 1306
D.022.L8	TITANIO / TITANIUM	TITANIO (COPPE CARBONIO) / TITANIUM (CARBON CAPS)	CARBONIO / CARBON FIBER	ME038 E9 1306