


MODEL KAWASAKI Z 1000

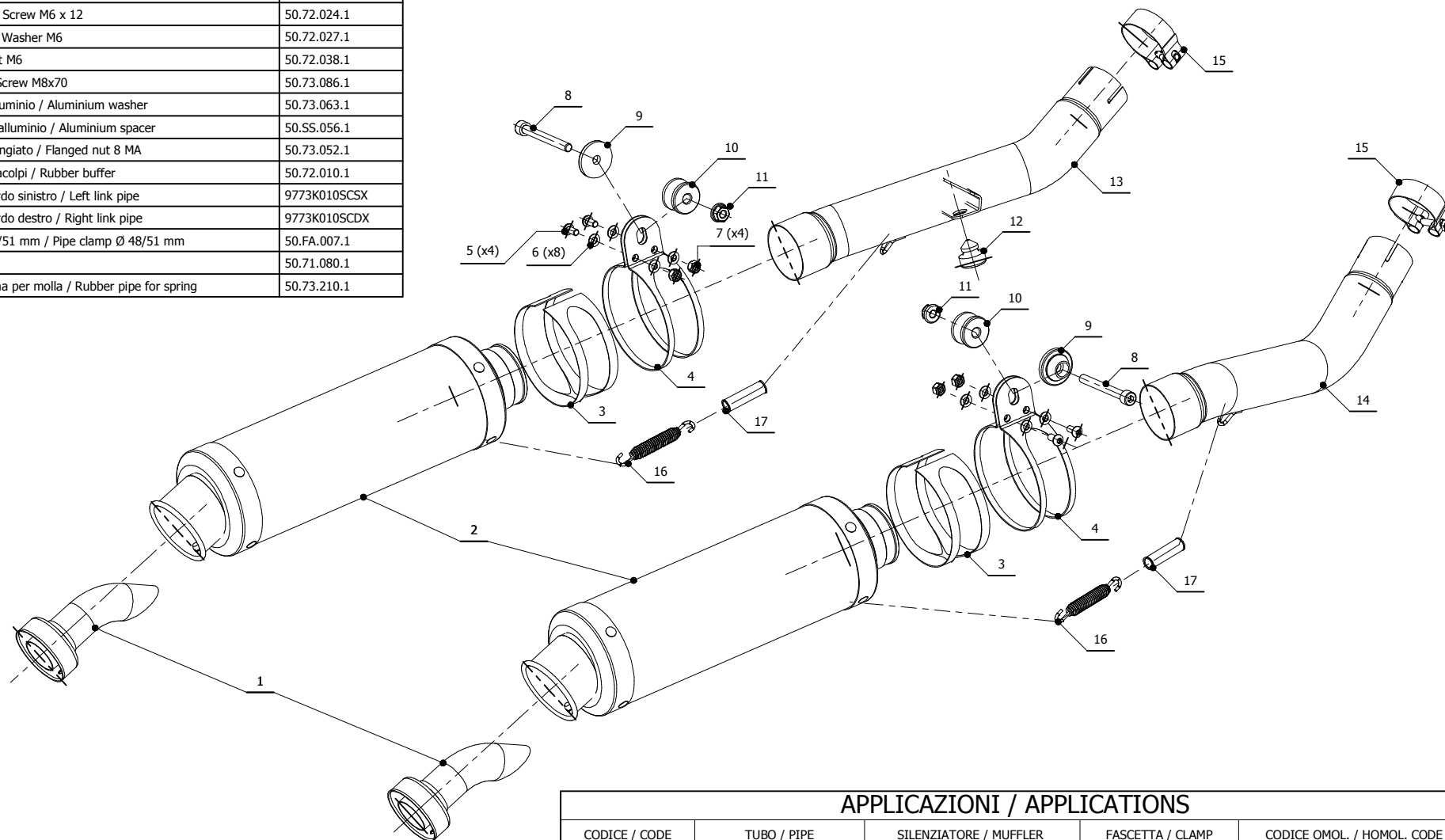
YEAR 2003-2006

LINE SPORT

MUFFLER GP

SCHEMATIC
ELENCO PARTI / PARTS LIST

| # | QTÀ / QTY | DESCRIZIONE / DESCRIPTION | CODICE / CODE |
|----|-----------|--|---------------|
| 1 | 2 | DB killer / DB killer | 50.DK.020.0 |
| 2 | 2 | Silenziatore / Muffler | GP |
| 3 | 2 | Protezione in gomma per staffa / Rubber protection for bracket | 50.73.077.1 |
| 4 | 2 | Staffa / Bracket | 50.SS.241.1 |
| 5 | 4 | Vite M6 x 12 / Screw M6 x 12 | 50.72.024.1 |
| 6 | 8 | Rondella M6 / Washer M6 | 50.72.027.1 |
| 7 | 4 | Dado M6 / Nut M6 | 50.72.038.1 |
| 8 | 2 | Vite M8x70 / Screw M8x70 | 50.73.086.1 |
| 9 | 2 | Rondella in alluminio / Aluminium washer | 50.73.063.1 |
| 10 | 2 | Distanziale in alluminio / Aluminium spacer | 50.SS.056.1 |
| 11 | 2 | Dado 8 MA flangiato / Flanged nut 8 MA | 50.73.052.1 |
| 12 | 1 | Gommino paracolpi / Rubber buffer | 50.72.010.1 |
| 13 | 1 | Tubo di raccordo sinistro / Left link pipe | 9773K010SCSX |
| 14 | 1 | Tubo di raccordo destro / Right link pipe | 9773K010SCDX |
| 15 | 2 | Fascetta Ø 48/51 mm / Pipe clamp Ø 48/51 mm | 50.FA.007.1 |
| 16 | 2 | Molla / Spring | 50.71.080.1 |
| 17 | 2 | Tubo in gomma per molla / Rubber pipe for spring | 50.73.210.1 |


APPLICAZIONI / APPLICATIONS

| CODICE / CODE | TUBO / PIPE | SILENZIATORE / MUFFLER | FASCETTA / CLAMP | CODICE OMOL. / HOMOL. CODE |
|---------------|------------------|-------------------------|------------------|----------------------------|
| K.010.L2S | INOX / ST. STEEL | CARBONIO / CARBON FIBER | INOX / ST. STEEL | ME029 e9 1221 |
| K.010.L6S | INOX / ST. STEEL | TITANIO / TITANIUM | INOX / ST. STEEL | ME029 e9 1221 |