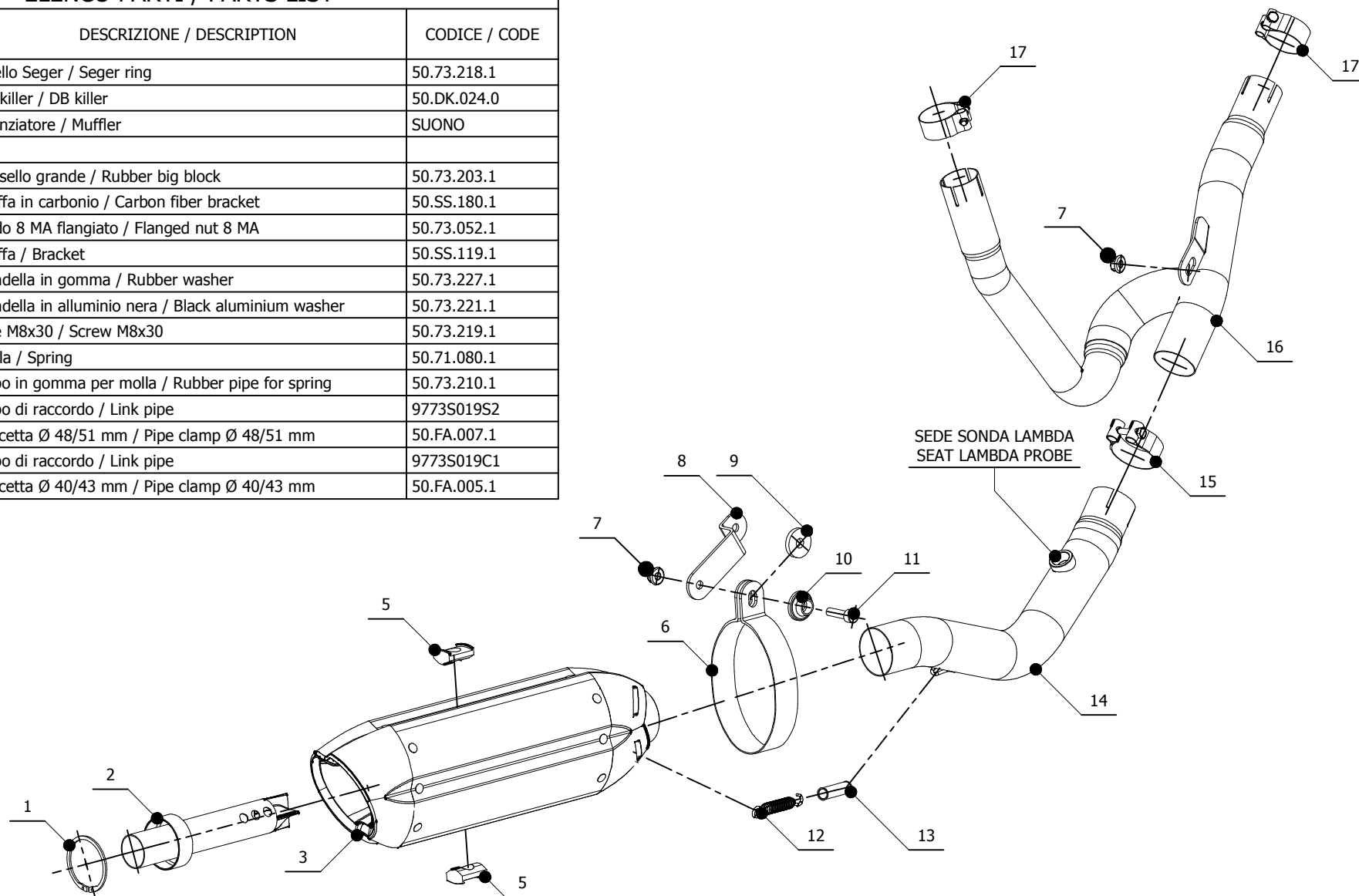


ELENCO PARTI / PARTS LIST

#	QTÀ / QTY	DESCRIZIONE / DESCRIPTION	CODICE / CODE
1	1	Anello Seger / Seger ring	50.73.218.1
2	1	DB killer / DB killer	50.DK.024.0
3	1	Silenziatore / Muffler	SUONO
4			
5	2	Tassello grande / Rubber big block	50.73.203.1
6	1	Staffa in carbonio / Carbon fiber bracket	50.SS.180.1
7	2	Dado 8 MA flangiato / Flanged nut 8 MA	50.73.052.1
8	1	Staffa / Bracket	50.SS.119.1
9	1	Rondella in gomma / Rubber washer	50.73.227.1
10	1	Rondella in alluminio nera / Black aluminium washer	50.73.221.1
11	1	Vite M8x30 / Screw M8x30	50.73.219.1
12	1	Molla / Spring	50.71.080.1
13	1	Tubo in gomma per molla / Rubber pipe for spring	50.73.210.1
14	1	Tubo di raccordo / Link pipe	9773S019S2
15	1	Fascetta Ø 48/51 mm / Pipe clamp Ø 48/51 mm	50.FA.007.1
16	1	Tubo di raccordo / Link pipe	9773S019C1
17	2	Fascetta Ø 40/43 mm / Pipe clamp Ø 40/43 mm	50.FA.005.1



APPLICAZIONI / APPLICATIONS

CODICE / CODE	TUBO / PIPE	SILENZIATORE / MUFFLER	FASCETTA / CLAMP	CODICE OMOL. / HOMOL. CODE
S.027.L7	INOX / ST. STEEL	CARBONIO E TITANIO / CARBON FIBER AND TITANIUM	CARBONIO / CARBON FIBER	ME008 e9 1176