



MODEL TRIUMPH SPEED TRIPLE

YEAR 2007-->

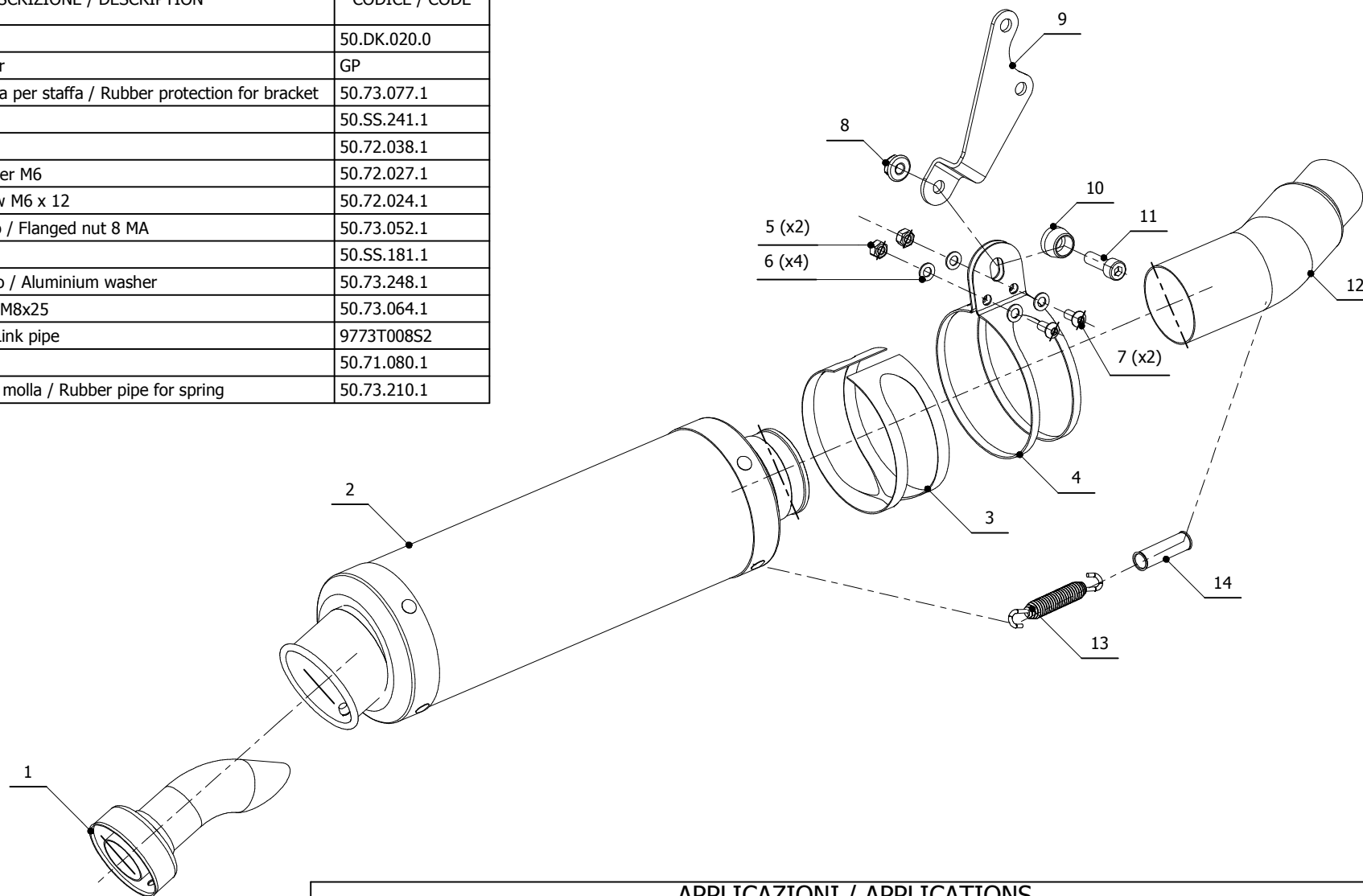
LINE SPORT

MUFFLER GP

SCHEMATIC

ELENCO PARTI / PARTS LIST

#	QTÀ / QTY	DESCRIZIONE / DESCRIPTION	CODICE / CODE
1	1	DB killer / DB killer	50.DK.020.0
2	1	Silenziatore / Muffler	GP
3	1	Protezione in gomma per staffa / Rubber protection for bracket	50.73.077.1
4	1	Staffa / Bracket	50.SS.241.1
5	2	Dado M6 / Nut M6	50.72.038.1
6	4	Rondella M6 / Washer M6	50.72.027.1
7	2	Vite M6 x 12 / Screw M6 x 12	50.72.024.1
8	1	Dado 8 MA flangiato / Flanged nut 8 MA	50.73.052.1
9	1	Staffa / Bracket	50.SS.181.1
10	1	Rondella in alluminio / Aluminium washer	50.73.248.1
11	1	Vite M8x25 / Screw M8x25	50.73.064.1
12	1	Tubo di raccordo / Link pipe	9773T008S2
13	1	Molla / Spring	50.71.080.1
14	1	Tubo in gomma per molla / Rubber pipe for spring	50.73.210.1



APPLICAZIONI / APPLICATIONS

CODICE / CODE	TUBO / PIPE	SILENZIATORE / MUFFLER	FASCETTA / CLAMP	CODICE OMOL. / HOMOL. CODE
T.008.L2S	INOX / ST. STEEL	CARBONIO / CARBON FIBER	INOX / ST. STEEL	ME044 e9 1345
T.008.L6S	INOX / ST. STEEL	TITANIO / TITANIUM	INOX / ST. STEEL	ME044 e9 1345