


MODEL YAMAHA T-MAX 500

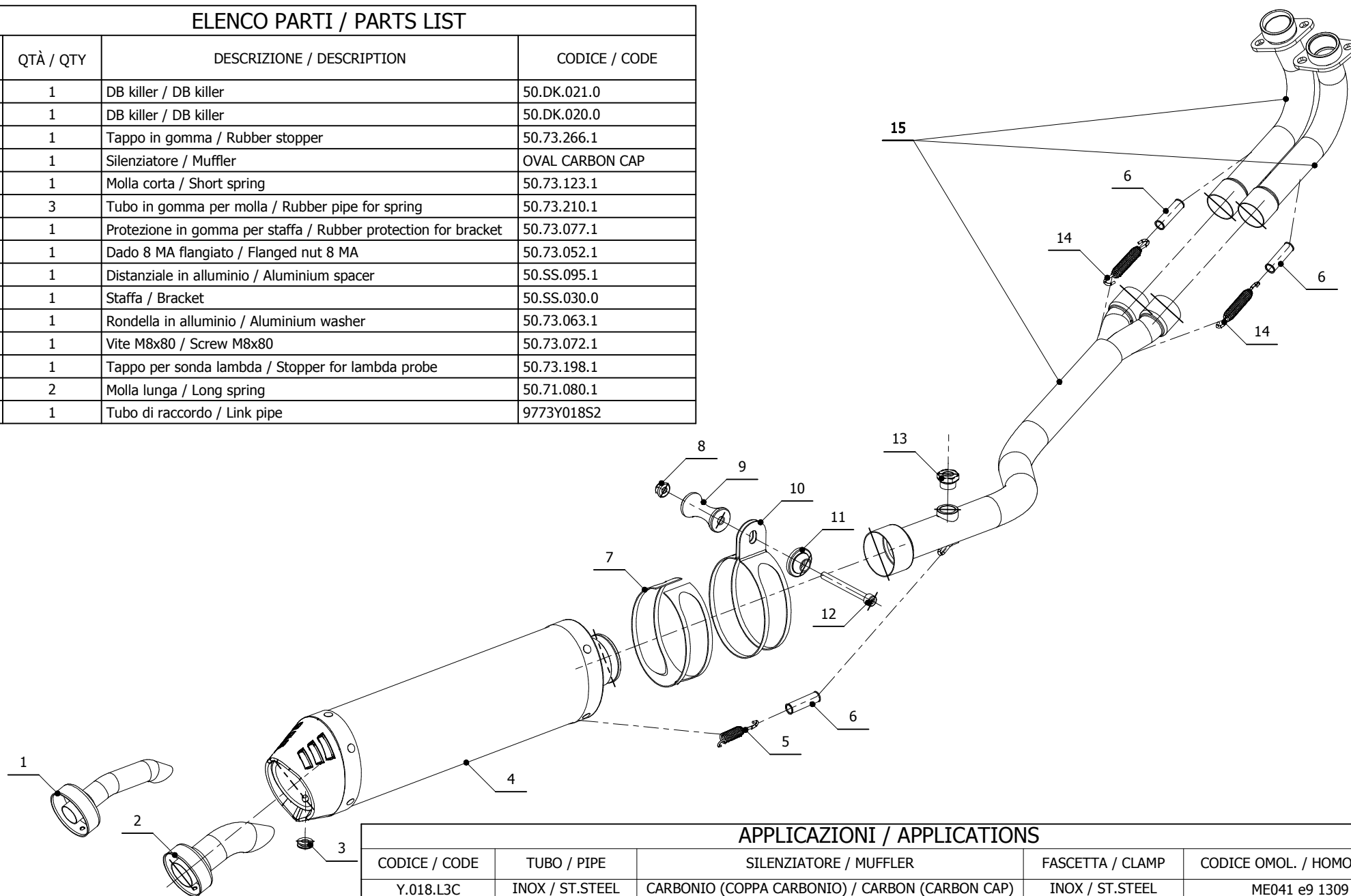
YEAR 2001- 2007

LINE SPORT

MUFFLER OVAL CARBON CAP

SCHEMATIC
ELENCO PARTI / PARTS LIST

#	QTÀ / QTY	DESCRIZIONE / DESCRIPTION	CODICE / CODE
1	1	DB killer / DB killer	50.DK.021.0
2	1	DB killer / DB killer	50.DK.020.0
3	1	Tappo in gomma / Rubber stopper	50.73.266.1
4	1	Silenziatore / Muffler	OVAL CARBON CAP
5	1	Molla corta / Short spring	50.73.123.1
6	3	Tubo in gomma per molla / Rubber pipe for spring	50.73.210.1
7	1	Protezione in gomma per staffa / Rubber protection for bracket	50.73.077.1
8	1	Dado 8 MA flangiato / Flanged nut 8 MA	50.73.052.1
9	1	Distanziale in alluminio / Aluminium spacer	50.SS.095.1
10	1	Staffa / Bracket	50.SS.030.0
11	1	Rondella in alluminio / Aluminium washer	50.73.063.1
12	1	Vite M8x80 / Screw M8x80	50.73.072.1
13	1	Tappo per sonda lambda / Stopper for lambda probe	50.73.198.1
14	2	Molla lunga / Long spring	50.71.080.1
15	1	Tubo di raccordo / Link pipe	9773Y018S2


APPLICAZIONI / APPLICATIONS

CODICE / CODE	TUBO / PIPE	SILENZIATORE / MUFFLER	FASCETTA / CLAMP	CODICE OMOL. / HOMOL.CODE
Y.018.L3C	INOX / ST.STEEL	CARBONIO (COPPA CARBONIO) / CARBON (CARBON CAP)	INOX / ST.STEEL	ME041 e9 1309
Y.018.L4C	INOX / ST.STEEL	TITANIO (COPPA CARBONIO) / TITANIUM (CARBON CAP)	INOX / ST.STEEL	ME041 e9 1309